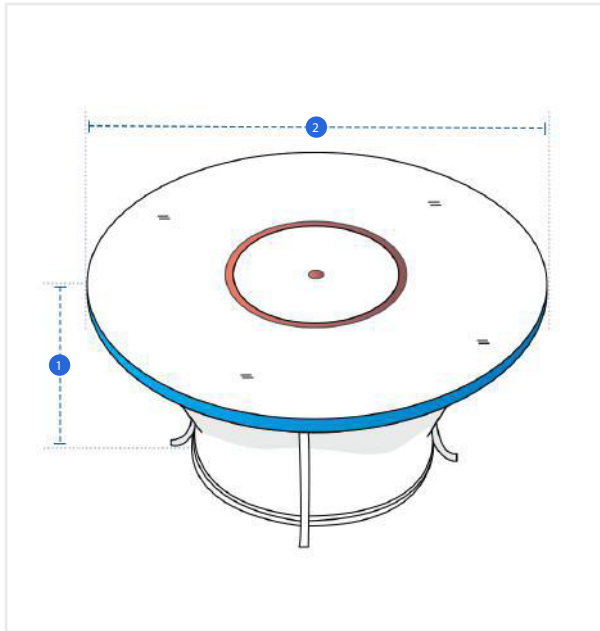


## How to Measure Round Fire Pit Covers - Design 3

### Measurement Instruction

- ✓ Give exact measurement from edge to edge.
- ✓ "We add upto 2" leeway on the given Diameter for easy pull-in and pull-out."
- ✓ The height dimensions will remain same as provided by you.



### Measurement (Inches)

1. Height

2. Diameter

#### 1. Height:

Height of the Round Fire Pit



#### 2. Diameter:

Diameter of the Round Fire Pit



We encourage you to upload the image of the article you need the cover for - this helps our team ensure covers are designed keeping your requirements in mind.