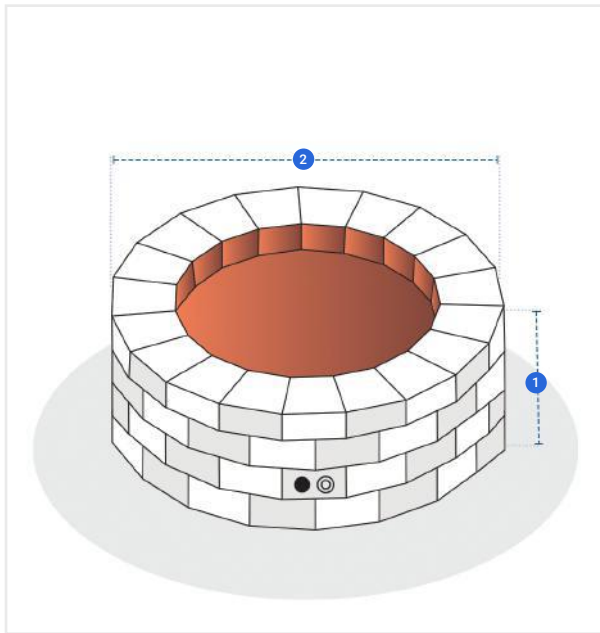


How to Measure Round Fire Pit Covers - Design 1

Measurement Instruction

- ✓ Give exact measurement from edge to edge.
- ✓ "We add upto 2" leeway on the given width/depth for easy pull-in and pull-out."
- ✓ The height dimensions will remain same as provided by you.



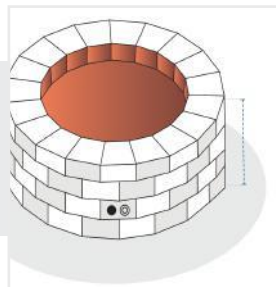
Measurement (Inches)

1. Height

2. Diameter

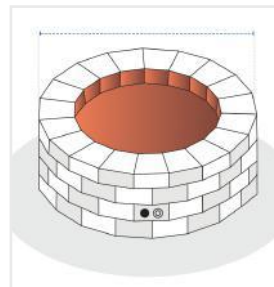
1. Height:

Height of the Fire pit



2. Diameter:

Diameter of the (Outer diameter of Fire pit)



We encourage you to upload the image of the article you need the cover for - this helps our team ensure covers are designed keeping your requirements in mind.